

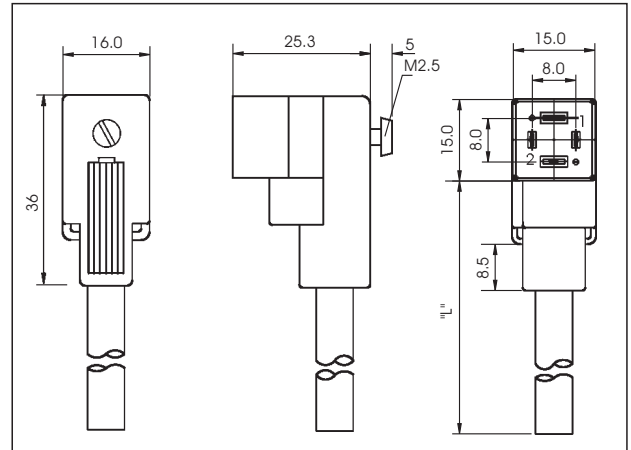
VALVE-CONNECTORS,IP67

View



- Valve connector, according to DIN EN 175301-803
- Form C, 8.0mm
- With built-in LED and varistor voltage protection
- Connected protective earth

Dimensional data



Technical Data

Operating temperature : -25 °C / +80 °C
 Housing/Molded body : TPU, self-extinguishing
 Degree of Protection : IP 67
 Contact : CuZn, nickel-plated and tin-plated

Contact Resistance : $\leq 5m\Omega$
 Nominal current at 40 °C : 4A
 Nominal Voltage : 24V
 Rated Voltage : 32V
 Pollution degree : 3

Catalog Number

Part-No	Poles	Face View female	Color Code	Conductors		Outer Jacket		Circuit Protection
				Guage	Stranding	ϕ mm	Material	
V-FANCVY052	2+ 		1 = brown 2 = blue = green / yellow	0.50mm ²	16 x ϕ 0.20	5.5	PUR/PVC	
V-FANCVV552				0.50mm ²	16 x ϕ 0.20	5.0	PVC irradiated	

"L"=Standard length:2.0m,3.0m,5.0m,10.0m. other cable length or cable specifications on request.

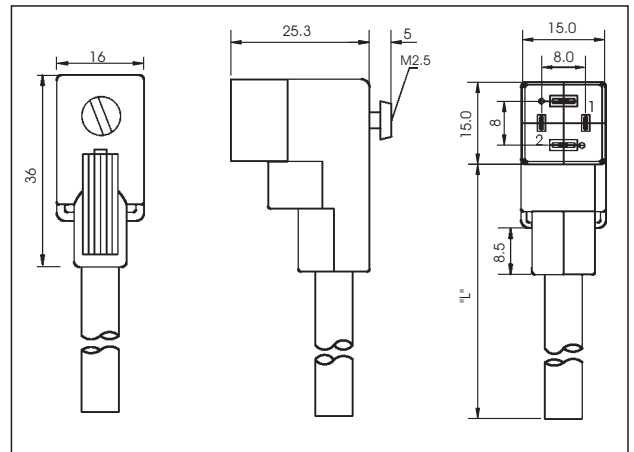
VALVE-CONNECTORS, IP67

View



- Valve connector according to DIN EN 175301-803
- Form C, 8.0mm
- 2+earth connection
- Connected protective earth
- Without circuitry

Dimensional data



Technical Data

Operating temperature : -25 °C /+80 °C
 Housing/Molded body : TPU, self-extinguishing
 Degree of Protection : IP 67
 Contact : CuZn, nickel-plated and tin-plated

Contact Resistance : $\leq 5m\Omega$
 Nominal current at 40 °C : 4A
 Nominal Voltage : 240V
 Rated Voltage : 250V
 Pollution degree : 3

Catalog Number

Part-No	Poles	Face View female	Color Code	Conductors		Outer Jacket	
				Guage	Stranding	ϕ mm	Material
V-FANCOV532	2+ 		1 = brown 2 = blue = green / yellow	0.50mm ²	16x ϕ 0.20	5.0	PVC

"L"=Standard length:2.0m,3.0m,5.0m,10.0m. other cable length or cable specifications on request.